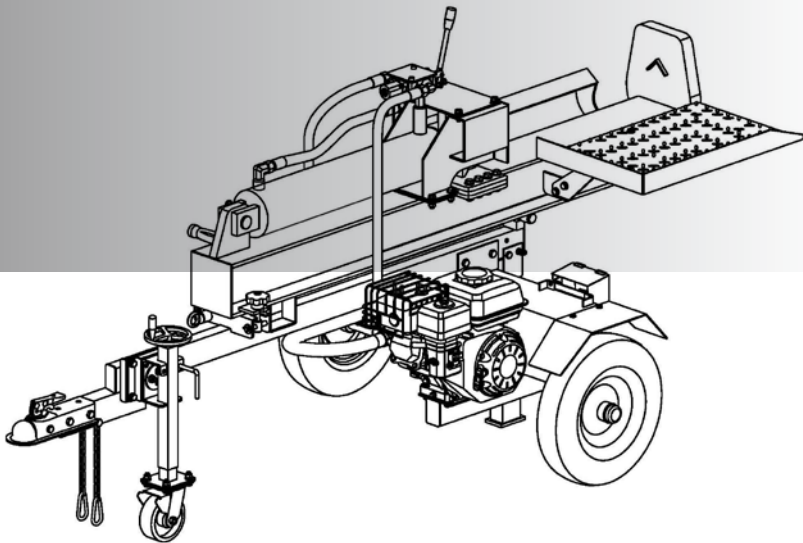


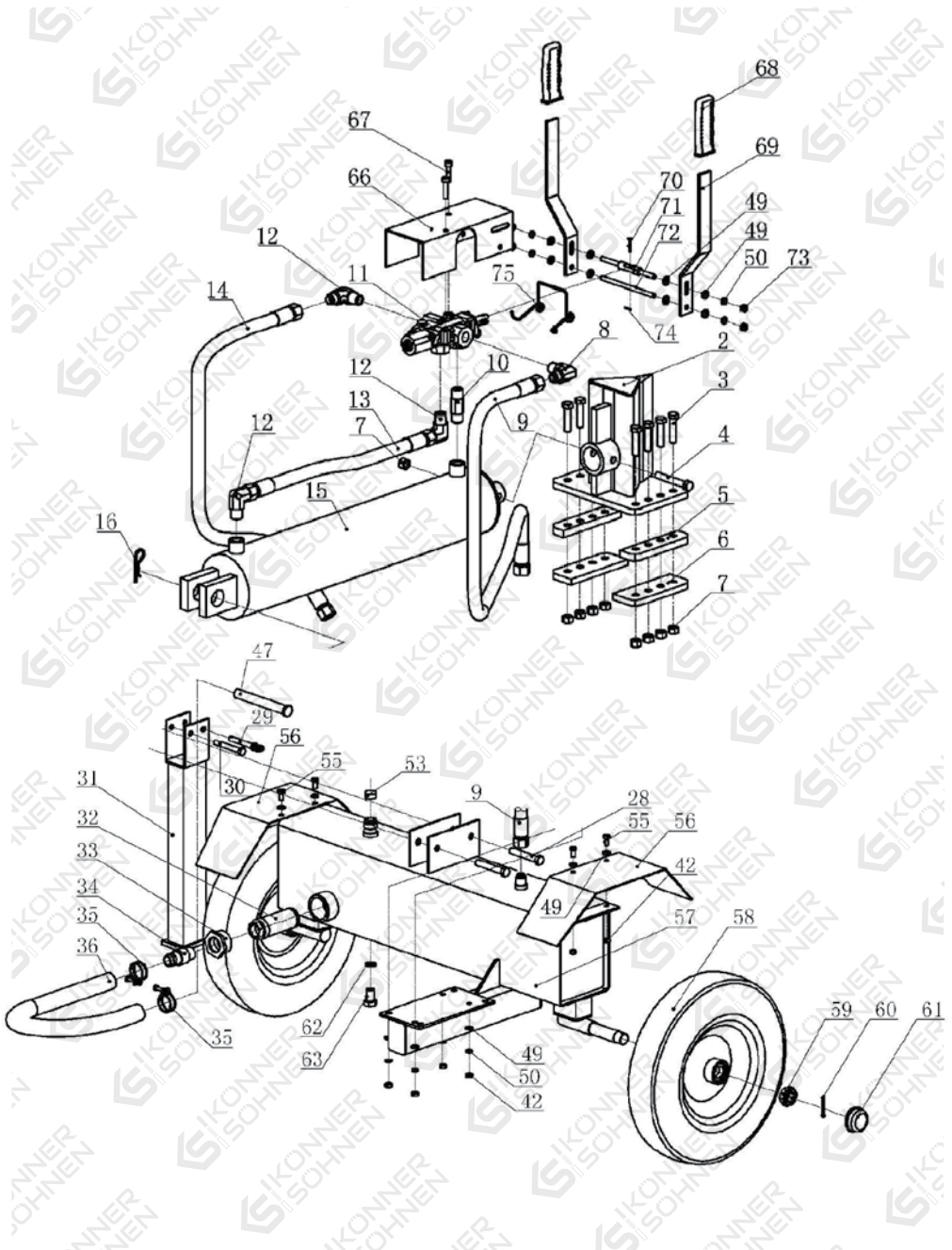
GASOLINE LOG SPLITTER EXPLODED VIEW

KS 27TKG 65/55

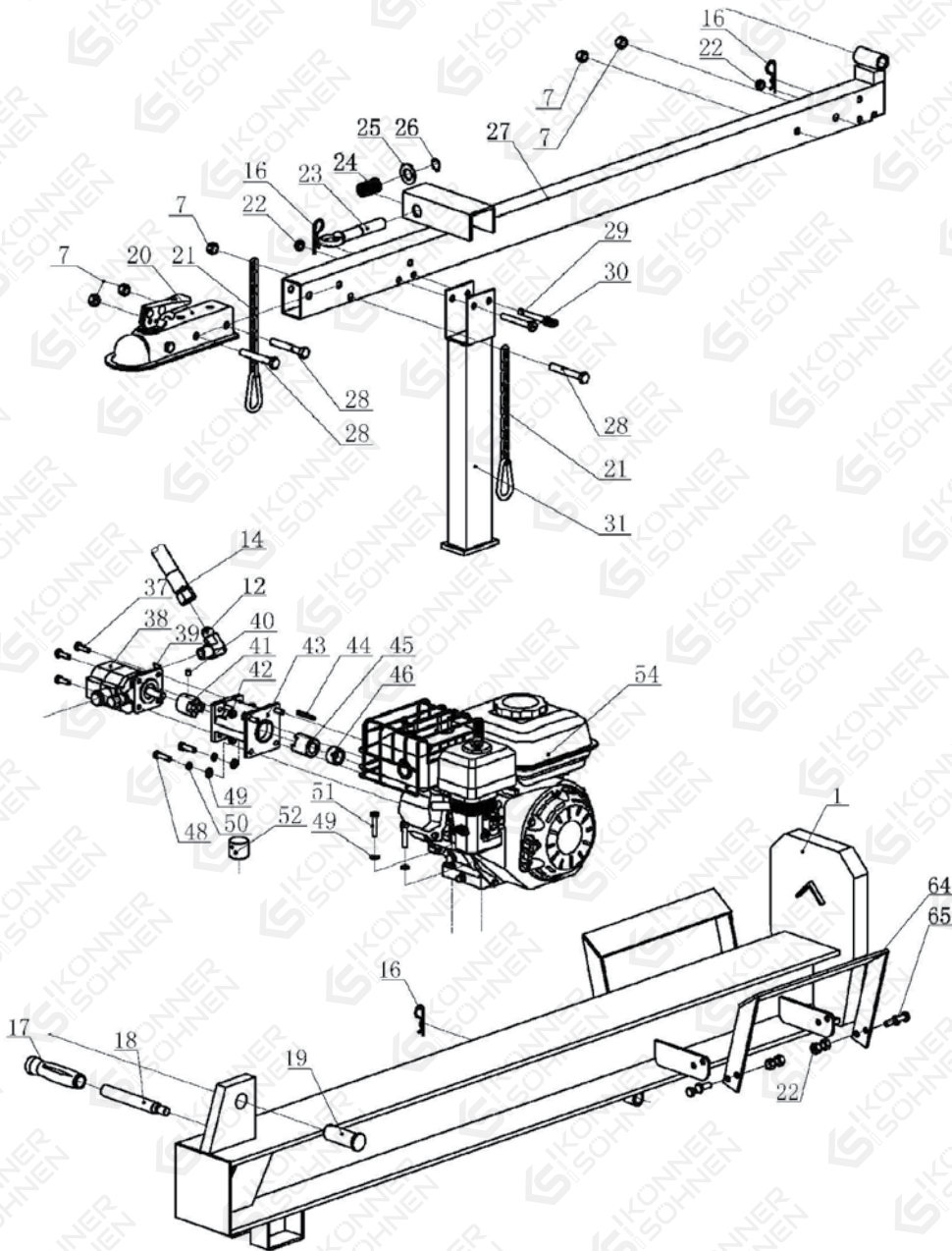


TRADITIONELLE DEUTSCHE QUALITÄT

1. PARTS OF LOG SPLITTER



1. PARTS OF LOG SPLITTER



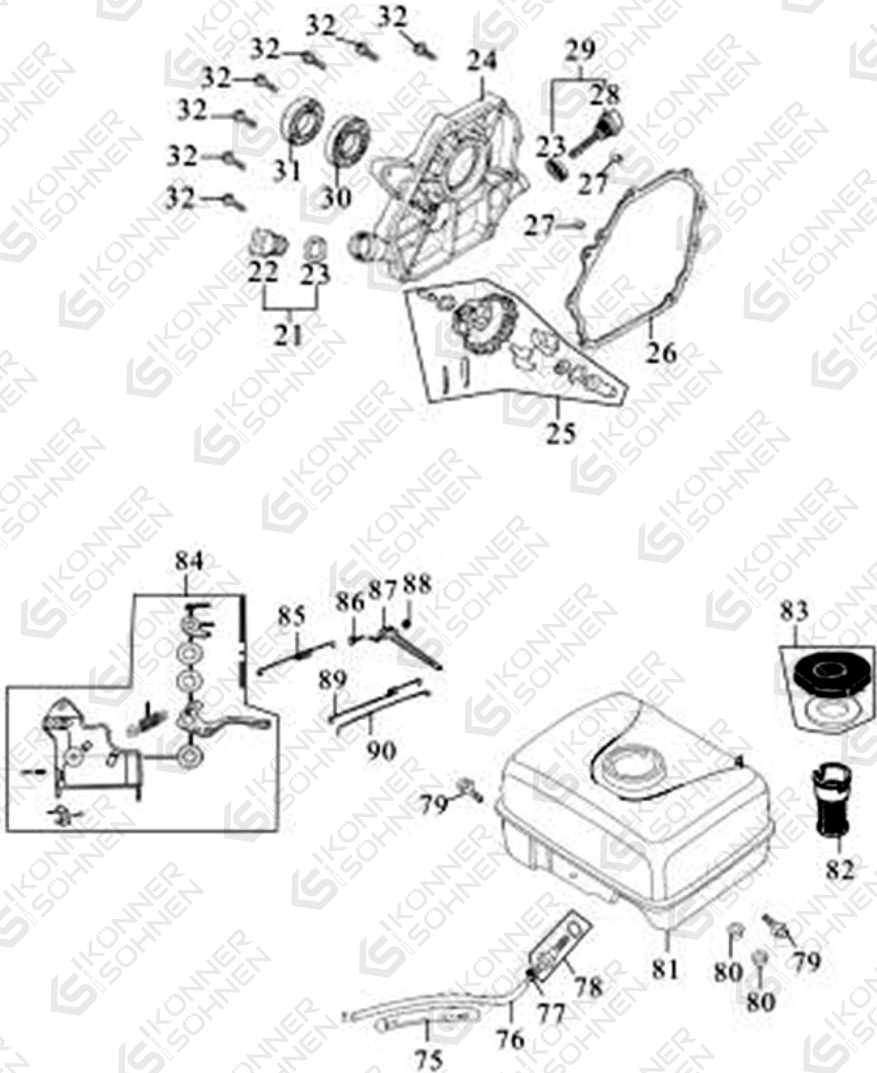
No	REF. No	DESCRIPTION	QTY
1	KS 27TKG 65/55-1-1	Beam	1
2	KS 27TKG 65/55-1-2	Wedge	1
3	KS 27TKG 65/55-1-3	Hex Bolt M12x50	8
4	KS 27TKG 65/55-1-4	Hex Bolt M12x80	1
5	KS 27TKG 65/55-1-5	Wedge Spacer	2
6	KS 27TKG 65/55-1-6	Wedge Plate	2
7	KS 27TKG 65/55-1-7	Lock Nut M12	14
8	KS 27TKG 65/55-1-8	1/2"-22x1.5 Connector	1
9	KS 27TKG 65/55-1-9	Oil Hose C	1
10	KS 27TKG 65/55-1-10	Pope Joint	1
11	KS 27TKG 65/55-1-11	Control Valve	1
12	KS 27TKG 65/55-1-12	1/2"-1/2" Connector	4
13	KS 27TKG 65/55-1-13	Oil Hose B	1
14	KS 27TKG 65/55-1-14	Oil Hose A	1
15	KS 27TKG 65/55-1-15	Cylinder	1
16	KS 27TKG 65/55-1-16	R Pin	4
17	KS 27TKG 65/55-1-17	Handle Cover	1
18	KS 27TKG 65/55-1-18	Handle	1
19	KS 27TKG 65/55-1-19	Cylinder Pin	1

No	REF. No	DESCRIPTION	QTY
20	KS 27TKG 65/55-1-20	2" Coupler	1
21	KS 27TKG 65/55-1-21	Chain	2
22	KS 27TKG 65/55-1-22	Lock Nut M10	10
23	KS 27TKG 65/55-1-23	Lock pin	1
24	KS 27TKG 65/55-1-24	Return Spring	1
25	KS 27TKG 65/55-1-25	Flat washer Ø19	1
26	KS 27TKG 65/55-1-26	Elastic collar	1
27	KS 27TKG 65/55-1-27	Tow Bar	1
28	KS 27TKG 65/55-1-28	Hex Bolt M12x80	5
29	KS 27TKG 65/55-1-29	Pin	2
30	KS 27TKG 65/55-1-30	Hex Bolt M10x75	2
31	KS 27TKG 65/55-1-31	Support Leg	2
32	KS 27TKG 65/55-1-32	Filter 40x180-J	1
33	KS 27TKG 65/55-1-33	Nut ZG1 1/2	1
34	KS 27TKG 65/55-1-34	Oil Inlet hose connector G1	1
35	KS 27TKG 65/55-1-35	Hoop	2
36	KS 27TKG 65/55-1-36	Suction Hose	1
37	KS 27TKG 65/55-1-37	Hex Bolt M8x25	4
38	KS 27TKG 65/55-1-38	Gear Pump	1

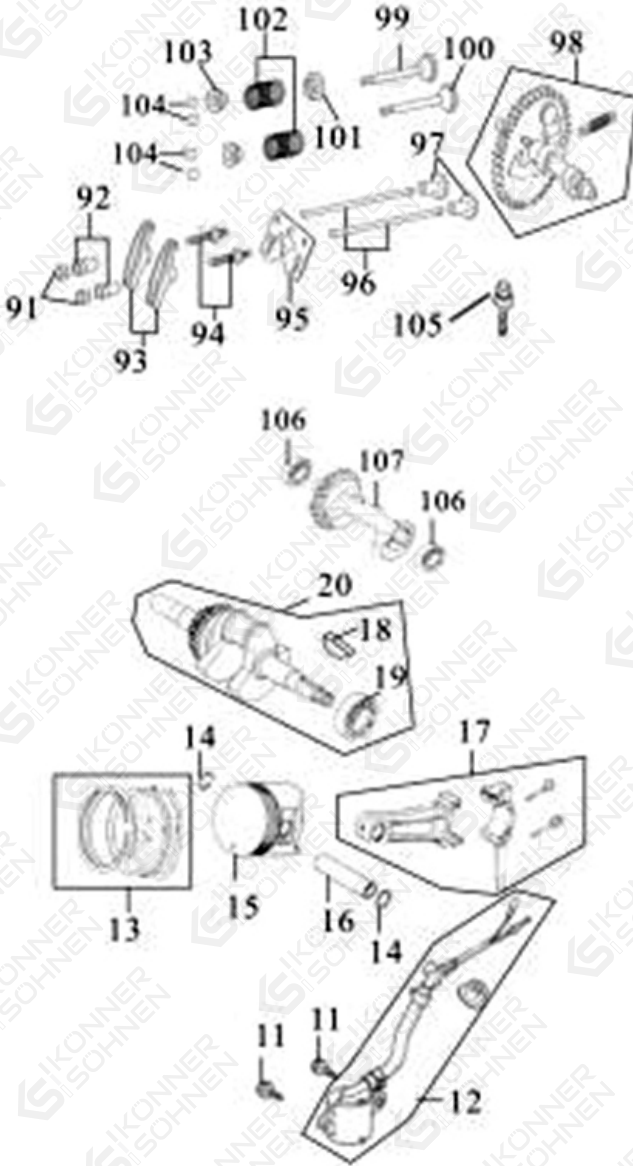
No	REF. No	DESCRIPTION	QTY
39	KS 27TKG 65/55-1-39	Wood ruff Key	1
40	KS 27TKG 65/55-1-40	Screw M6x10	1
41	KS 27TKG 65/55-1-41	Gear Pump Connector	1
42	KS 27TKG 65/55-1-42	Lock Nut M8	12
43	KS 27TKG 65/55-1-43	Connector Stand	1
44	KS 27TKG 65/55-1-44	Flat Key	1
45	KS 27TKG 65/55-1-45	Engine Connector	1
46	KS 27TKG 65/55-1-46	Engine Bushing	1
47	KS 27TKG 65/55-1-47	Beam Pin	1
48	KS 27TKG 65/55-1-48	Hex Bolt M8x30	4
49	KS 27TKG 65/55-1-49	Flat Washer Ø8	24
50	KS 27TKG 65/55-1-50	Lock Washer Ø8	12
51	KS 27TKG 65/55-1-51	Hex Bolt M8x40	4
52	KS 27TKG 65/55-1-52	Oil Cap	1
53	KS 27TKG 65/55-1-53	Sponge Filter	1
54	KS 27TKG 65/55-1-54	Engine	1
55	KS 27TKG 65/55-1-55	Hex Bolt M8x16	4
56	KS 27TKG 65/55-1-56	Wheel Fender	2
57	KS 27TKG 65/55-1-57	Oil Tank	1

No	REF. No	DESCRIPTION	QTY
58	KS 27TKG 65/55-1-58	16" Pneumatic Tire	2
59	KS 27TKG 65/55-1-59	Thin Slotted Nut M24x2	2
60	KS 27TKG 65/55-1-60	Cotter Pin Ø4x36	2
61	KS 27TKG 65/55-1-61	Wheel Cap	2
62	KS 27TKG 65/55-1-62	Washer Ø16	1
63	KS 27TKG 65/55-1-63	Drain Plug M16x1.5	1
64	KS 27TKG 65/55-1-64	Guide Rack	2
65	KS 27TKG 65/55-1-65	Hex Bolt M10x25	8
66	KS 27TKG 65/55-1-66	Control Valve Cover	1
67	KS 27TKG 65/55-1-67	Hexagonal Socket Head Cap Screw M8x35	2
68	KS 27TKG 65/55-1-68	Control Handle Cover	2
69	KS 27TKG 65/55-1-69	Control Handle	2
70	KS 27TKG 65/55-1-70	Roll Pin 5x25B	1
71	KS 27TKG 65/55-1-71	Connecting Rod	1
72	KS 27TKG 65/55-1-72	Screw Rod	1
73	KS 27TKG 65/55-1-73	Hex Nut M8	4
74	KS 27TKG 65/55-1-74	Cotter Pin Ø1.6x10	1
75	KS 27TKG 65/55-1-75	Torsional Spring	1

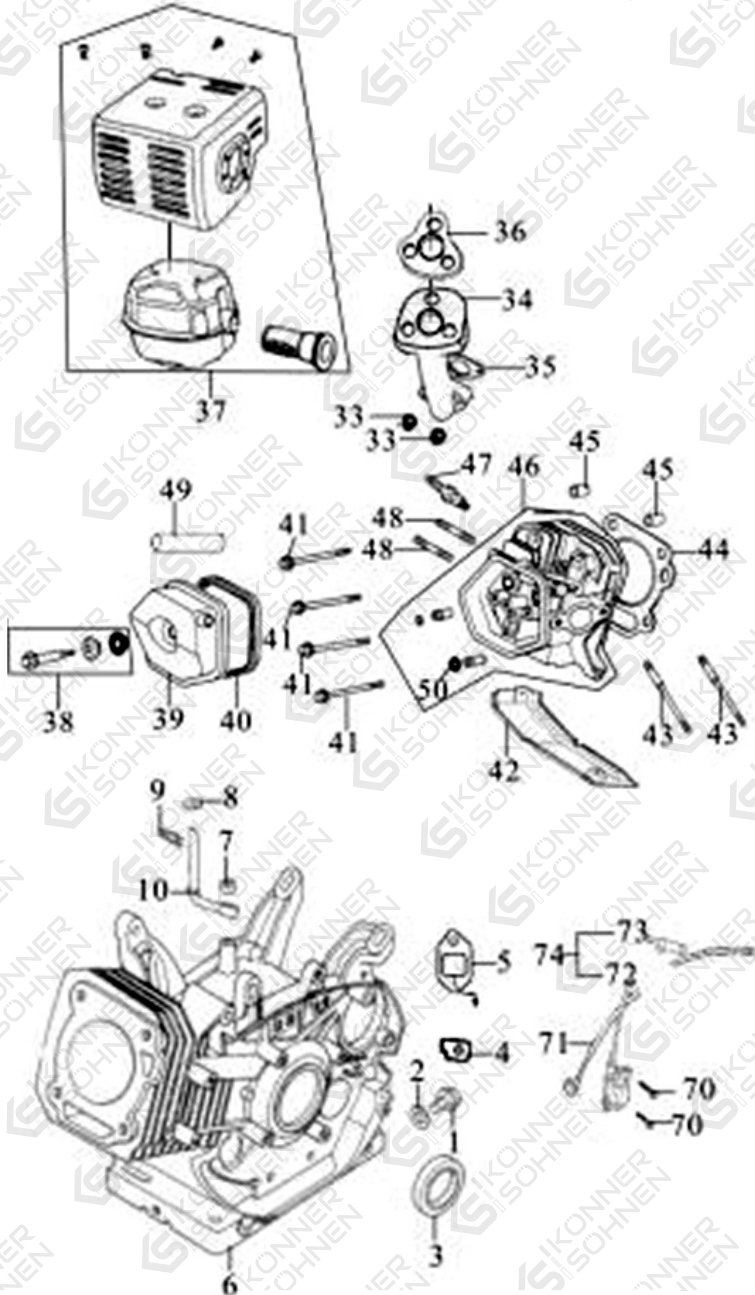
2. PARTS OF ENGINE



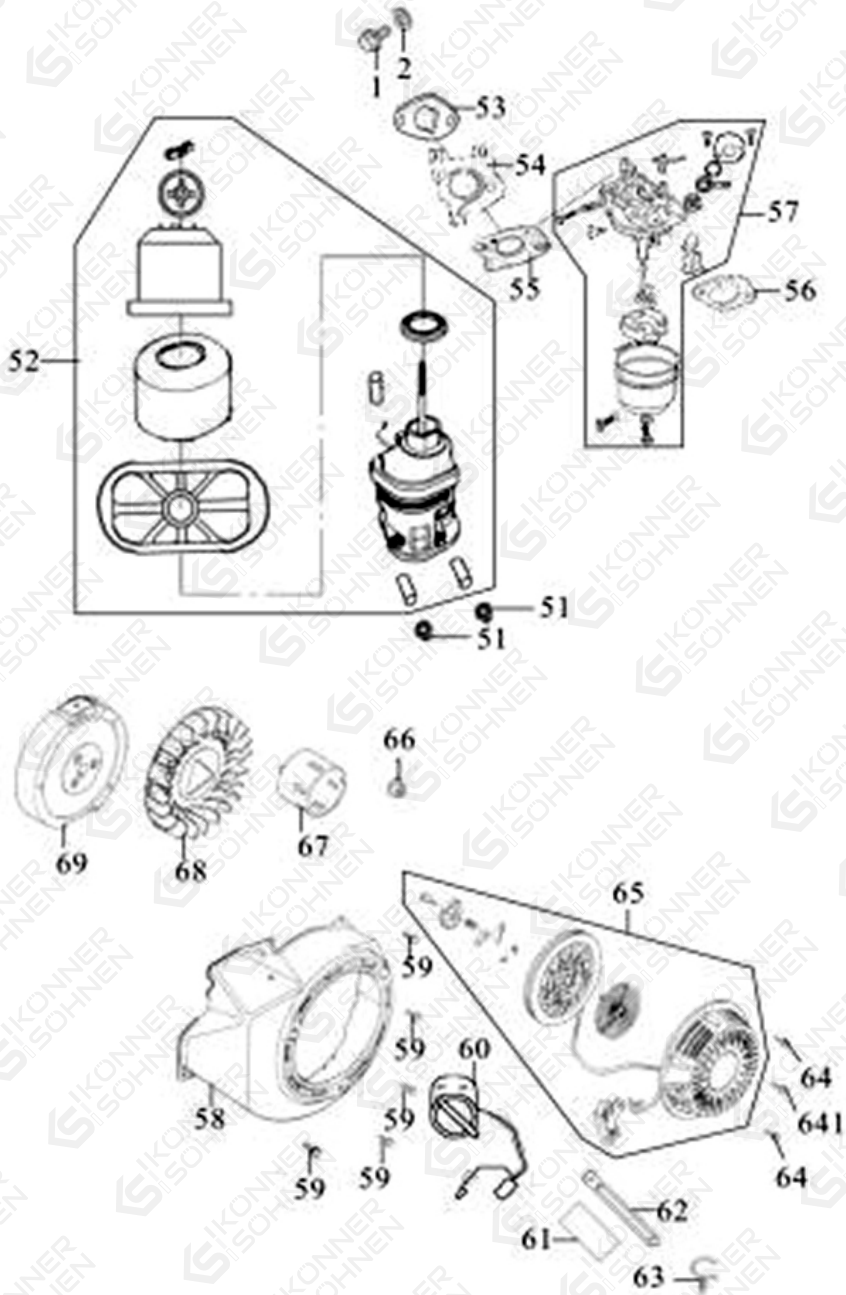
2. PARTS OF ENGINE



2. PARTS OF ENGINE



2. PARTS OF ENGINE



No	REF. No	DESCRIPTION	QTY
1	KS 27TKG 65/55-2-1	Washer	2
2	KS 27TKG 65/55-2-2	Drain plug	2
3	KS 27TKG 65/55-2-3	Oil seal, crankshaft	1
4	KS 27TKG 65/55-2-4	Seal	1
5	KS 27TKG 65/55-2-5	Diode	1
6	KS 27TKG 65/55-2-6	Crankcase	1
7	KS 27TKG 65/55-2-7	Oil seal, regulating sway bar	1
8	KS 27TKG 65/55-2-8	Washer	1
9	KS 27TKG 65/55-2-9	Split pin	1
10	KS 27TKG 65/55-2-10	Regulating sway bar	1
11	KS 27TKG 65/55-2-11	Bolt M6×14	2
12	KS 27TKG 65/55-2-12	Oil sensor	1
13	KS 27TKG 65/55-2-13	Piston ring set	1
14	KS 27TKG 65/55-2-14	Piston pin circlip	2
15	KS 27TKG 65/55-2-15	Piston	1
16	KS 27TKG 65/55-2-16	Piston pin	1
17	KS 27TKG 65/55-2-17	Connecting rod assy	1
18	KS 27TKG 65/55-2-18	Wood reffkey	1
19	KS 27TKG 65/55-2-19	Bearing 6207	1
20	KS 27TKG 65/55-2-20	Crankshaft assy	1
21	KS 27TKG 65/55-2-21	Oil plug with Seal	1
22	KS 27TKG 65/55-2-22	Oil plug	1

No	REF. No	DESCRIPTION	QTY
23	KS 27TKG 65/55-2-23	Seal	2
24	KS 27TKG 65/55-2-24	Crankcase cover	1
25	KS 27TKG 65/55-2-25	Driven gear, regulator assy	1
26	KS 27TKG 65/55-2-26	Gasket, crankcase	1
27	KS 27TKG 65/55-2-27	Set pin	2
28	KS 27TKG 65/55-2-28	Dipstick	1
29	KS 27TKG 65/55-2-29	Dipstick with seal	1
30	KS 27TKG 65/55-2-30	Bearing 6207	1
31	KS 27TKG 65/55-2-31	Oil seal, crankshaft	1
32	KS 27TKG 65/55-2-32	Bolt M8×40	7
33	KS 27TKG 65/55-2-33	Nut M8	5
34	KS 27TKG 65/55-2-34	Exhaust pipe	1
35	KS 27TKG 65/55-2-35	Exhaust pipe gasket	1
36	KS 27TKG 65/55-2-36	Muffler gasket	1
37	KS 27TKG 65/55-2-37	Muffler assy	1
38	KS 27TKG 65/55-2-38	Bolt M6×60	1
39	KS 27TKG 65/55-2-39	Cylinder head cover Assy	1
40	KS 27TKG 65/55-2-40	Gasket, cylinder head cover	1
41	KS 27TKG 65/55-2-41	Bolt M10×80	4
42	KS 27TKG 65/55-2-42	Lead wind cover	1
43	KS 27TKG 65/55-2-43	Stud M6-8×134	2
44	KS 27TKG 65/55-2-44	Gasket, cylinder head	1

No	REF. No	DESCRIPTION	QTY
45	KS 27TKG 65/55-2-45	Set pin	2
46	KS 27TKG 65/55-2-46	Cylinder head Assy	1
47	KS 27TKG 65/55-2-47	Spark plug F6TC	1
48	KS 27TKG 65/55-2-48	Stud M8×48.5	2
49	KS 27TKG 65/55-2-49	Air duck	1
50	KS 27TKG 65/55-2-50	Seal	1
51	KS 27TKG 65/55-2-51	Nut M6	2
52	KS 27TKG 65/55-2-52	Air cleaner	1
53	KS 27TKG 65/55-2-53	Inlet gasket	1
54	KS 27TKG 65/55-2-54	Connecting block	1
55	KS 27TKG 65/55-2-55	Carburetor gasket	1
56	KS 27TKG 65/55-2-56	Air cleaner gasket	1
57	KS 27TKG 65/55-2-57	Carburetor Assy	1
58	KS 27TKG 65/55-2-58	Fan hood assy	1
59	KS 27TKG 65/55-2-59	Bolt M6×12	10
60	KS 27TKG 65/55-2-60	Engine switch	1
61	KS 27TKG 65/55-2-61	Wire grommet	1
62	KS 27TKG 65/55-2-62	Clip	1
63	KS 27TKG 65/55-2-63	Plastic clip (二)	1
64	KS 27TKG 65/55-2-64	Bolt M6×8	3
65	KS 27TKG 65/55-2-65	Recoil starter assy	1
66	KS 27TKG 65/55-2-66	Nut M16×1.5	1

No	REF. No	DESCRIPTION	QTY
67	KS 27TKG 65/55-2-67	Starting flange	1
68	KS 27TKG 65/55-2-68	Flywheel fan	1
69	KS 27TKG 65/55-2-69	Flywheel	1
70	KS 27TKG 65/55-2-70	Screw M6×25	2
71	KS 27TKG 65/55-2-71	Engine stop cable	1
72	KS 27TKG 65/55-2-72	Ignition coil	1
73	KS 27TKG 65/55-2-73	Spark plug cap	1
74	KS 27TKG 65/55-2-74	Ignition coil assy	1
75	KS 27TKG 65/55-2-75	Pipe	1
76	KS 27TKG 65/55-2-76	Outlet pipe	1
77	KS 27TKG 65/55-2-77	Pipe clamp	2
78	KS 27TKG 65/55-2-78	Connector	1
79	KS 27TKG 65/55-2-79	Bolt M8×25	2
80	KS 27TKG 65/55-2-80	Nut M8	2
81	KS 27TKG 65/55-2-81	Fuel tank	1
82	KS 27TKG 65/55-2-82	Filter cup	1
83	KS 27TKG 65/55-2-83	Fuel filler cap with packing ring	1
84	KS 27TKG 65/55-2-84	Regulating frame assy	1
85	KS 27TKG 65/55-2-85	Back spring	1
86	KS 27TKG 65/55-2-86	Lock bolt	1
87	KS 27TKG 65/55-2-87	Regulating arm	1
88	KS 27TKG 65/55-2-88	Nut M6	1

No	REF. No	DESCRIPTION	QTY
89	KS 27TKG 65/55-2-89	Fine regulating spring	1
90	KS 27TKG 65/55-2-90	Pulling rod	1
91	KS 27TKG 65/55-2-91	Lock nut	2
92	KS 27TKG 65/55-2-92	Sleeve	2
93	KS 27TKG 65/55-2-93	Valve rocker	2
94	KS 27TKG 65/55-2-94	Adjusting bolt for valve gap	2
95	KS 27TKG 65/55-2-95	Pusher guide	1
96	KS 27TKG 65/55-2-96	Pusher	2
97	KS 27TKG 65/55-2-97	Tappet	2
98	KS 27TKG 65/55-2-98	Camshaft assy	1
99	KS 27TKG 65/55-2-99	Exhaust valve	1
100	KS 27TKG 65/55-2-100	Intake valve	1
101	KS 27TKG 65/55-2-101	Spring retainer, exhaust valve	1
102	KS 27TKG 65/55-2-102	Valve spring	2
103	KS 27TKG 65/55-2-103	valve spring seat	2
104	KS 27TKG 65/55-2-104	valve split collets	4
105	KS 27TKG 65/55-2-105	Bolt M6×28	1
106	KS 27TKG 65/55-2-106	Bearing 6202	2
107	KS 27TKG 65/55-2-107	Balancing shaft	1

CONTACTS

Germany

ks-power.de

info@dimaxgroup.de

Poland

ks-power.pl

info.pl@dimaxgroup.de

Ukraine

ks-power.com.ua

sales@ks-power.com.ua